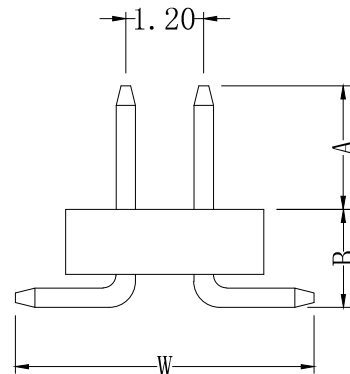
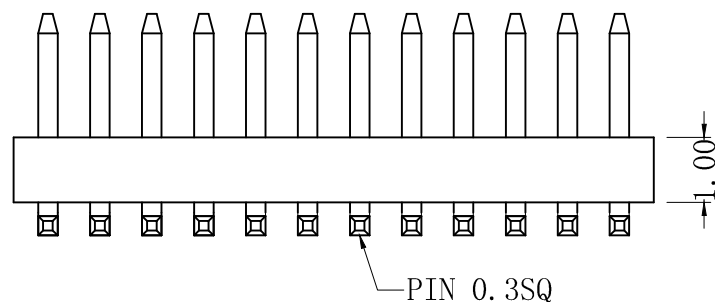
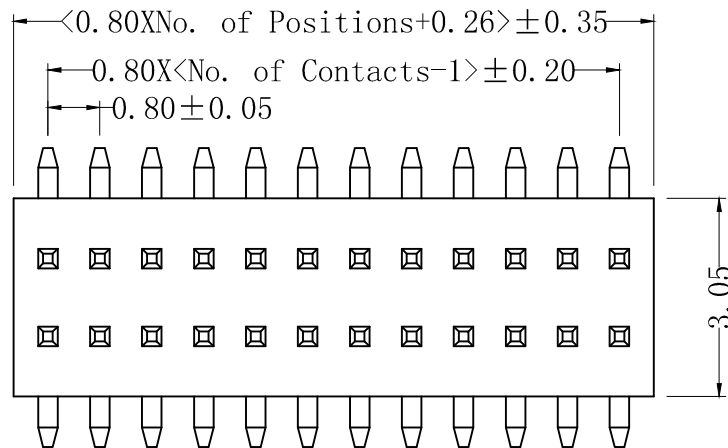


REV	DESCRIPTION	DATE



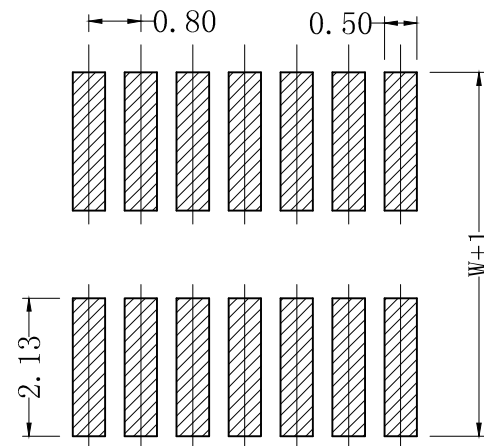
### Specifications

Current Rating: 1Amp  
 Insulation Resistance: 1000MΩ Min.  
 Dielectric Withstanding: 300V AC/DC  
 Contact Resistance: 20mΩ Max.  
 Operating Temperature: -40° C to +105° C

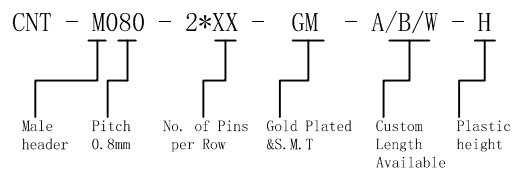
### Materials

Contact Material: Phosphor Bronze  
 Insulation Material: High Temperature Thermoplastic, UL 94V-0 LCP or the equivalent material

### Recommended P. C. Board Hole Layout



### Ordering Information



A		E	
B		F	
H	1.0	W	

<h1>CNT</h1> 肯耐特电子有限公司				GENERAL TOLERANCE		DRAWN	DATE	DWG. NO.	TITLE
				X.° ±5°	X. ±0.30	董道丽	20200515		
.X° ±3°	.X ±0.38	CHECK	DATE	PART. NO.					
.XX° ±2°	.XX ±0.25	王芳芳	20200515						
REV.	UNIT	SCALE		.XXX° ±1°	.XXX ±0.15	APPROVE	DATE		
1.0	mm	1:1		王元中	20200515		CNT-M080-2*XX-GM-A/B/W		
0.80 PIN MALE HEADER DUAL ROWS SMT TYPE CONNECTOR									