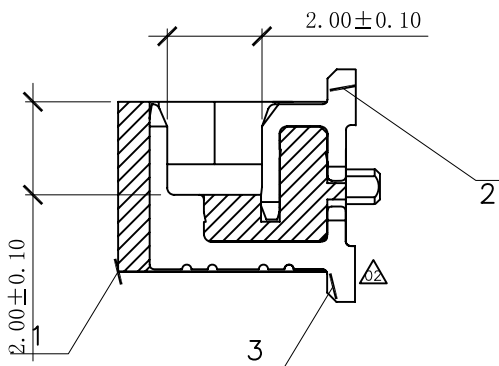
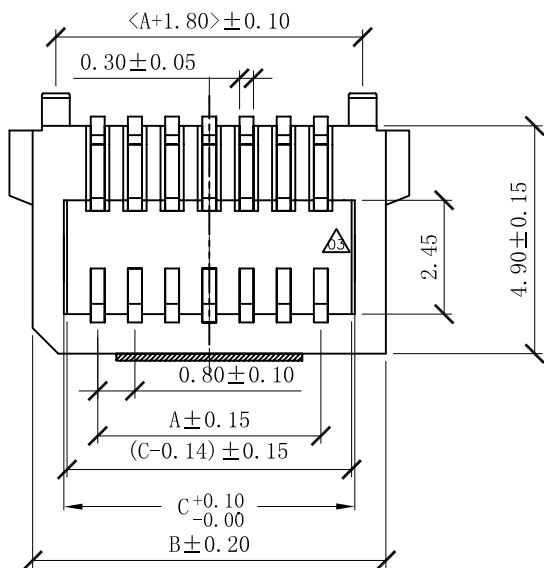


CIRCUITS	DIM A	DIM B	DIM C
10	3.20	6.00	4.66
12	4.00	6.80	5.46
14	4.80	7.60	6.26
16	5.60	8.40	7.06
18	6.40	9.20	7.86
20	7.20	10.00	8.66
22	8.00	10.80	9.46
24	8.80	11.60	10.26
26	9.60	12.40	11.06
28	10.40	13.20	11.86
30	11.20	14.00	12.66
32	12.00	14.80	13.46
34	12.80	15.60	14.26
36	13.60	16.40	15.06
38	14.40	17.20	15.86
40	15.20	18.00	16.66
42	16.00	18.80	17.46
44	16.80	19.60	18.26
46	17.60	20.40	19.06
48	18.40	21.20	19.86
50	19.20	22.00	20.66
52	20.00	22.80	21.46
54	20.80	23.60	22.26
56	21.60	24.40	23.06
58	22.40	25.20	23.86
60	23.20	26.00	24.66

REV	DESCRIPTION	DATE



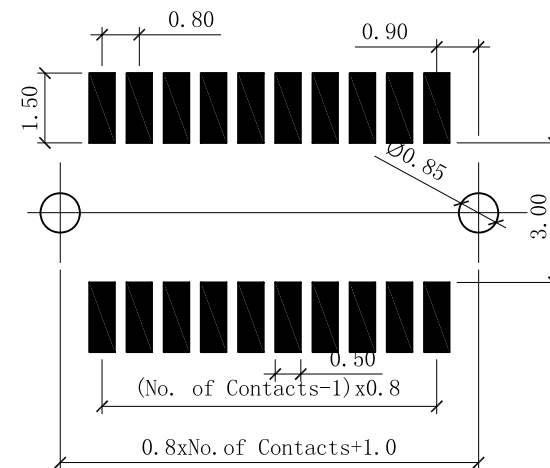
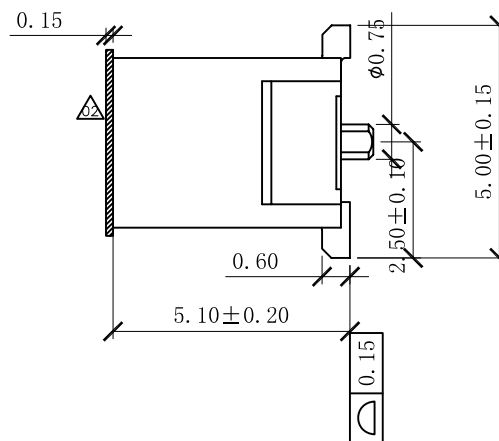
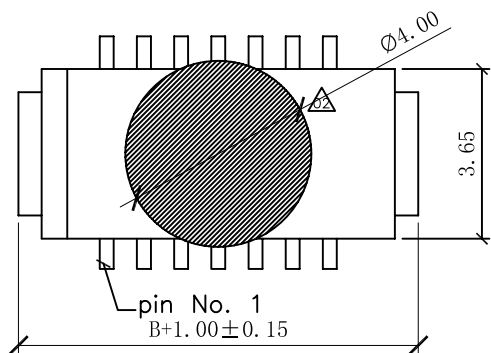
SPECIFICATIONS

Current Rating: 1 Amps
 Insulator resistance: 1000 Megohms Min.
 Dielectric withstanding: AC 500 V
 Contact Resistance: 20 mΩ Max
 Operating Temperature: -40° C - +105° C

MATERIALS

Contact Material: Brass
 Insulator Material: NYLON 6T
 Finish: Gold Plated over nikle

Recommended P. C. Board Hole Layout



CNT 肯耐特电子有限公司				GENERAL TOLERANCE		DRAWN	DATE	DWG. NO.	TITLE
				X. ° ±5°	.X° ±	CHECK	20150513		
REV.	UNIT	SCALE	XX. ±5°	.XX ±0.38	APPROVE	DATE	PART. NO.		
1.0	mm	1:1	XXX. ±5°	.XXX ±0.38			CNT-F080-2*XX-GM-510/5.0		