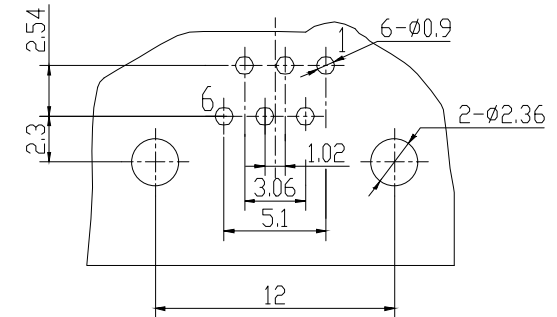
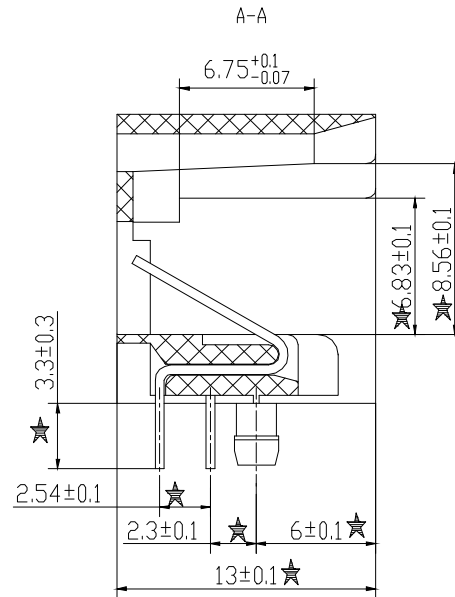
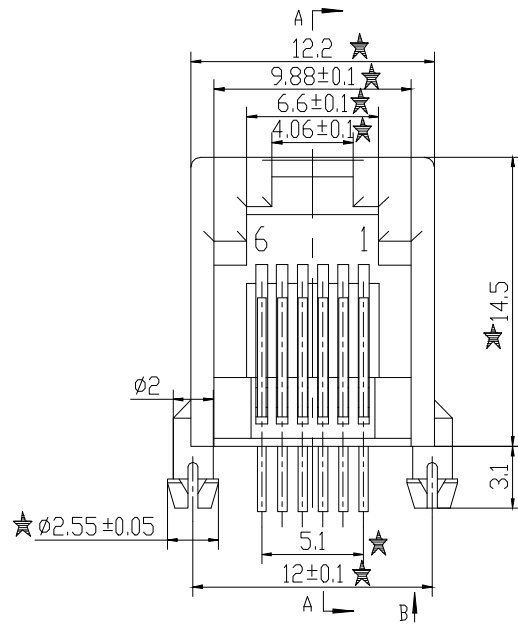
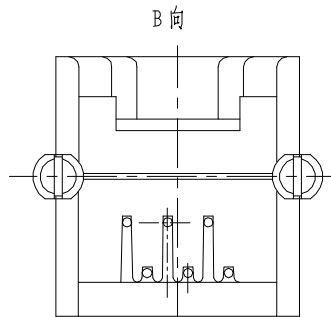


RoHS

REV	DESCRIPTION	DATE



PCB LAYOUT



- NOTE:
- ELECTRICAL:
 - VOLTAGE RATING: 125 VAC RMS;
 - CURRENT RATING: 1.5 AMP;
 - CONTACT RESISTANCE: 20 MILLIOHMS Max;
 - INSULATION RESISTANCE: 1000 MEGOHMS Min @500 VDC;
 - DIELECTRIC STRENGTH: 1000 VAC RMS 50 or 60Hz 1 Minute;
 - MECHANICAL:
 - HOUSING: PBT, UL94V-0, GRAY;
 - TERMINALS: DIA 0.46 PHOSPHOR BRONZE PLATED 3u" Au;
 - DURABILITY: 750 CYCLES Min.
- 3.★Critical dimension.

<h1>CNT</h1> 肯耐特电子有限公司		GENERAL TOLERANCE		DRAWN 董道丽	DATE 20190702	DWG. NO.	TITLE
		X. ° ±5°	X. ±0.30				
REV. 1.0	UNIT mm	SCALE 1:1		.X ° ±3°	.X ±0.38	PART. NO. CNT-5523-6P6C	RJ11 6P6C
				.XX ° ±2°	.XX ±0.25		
				.XXX ° ±1°	.XXX ±0.15		
				APPROVE 王元中	DATE 20190702		