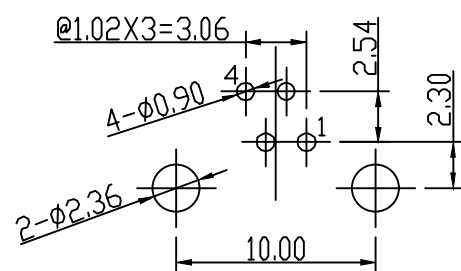
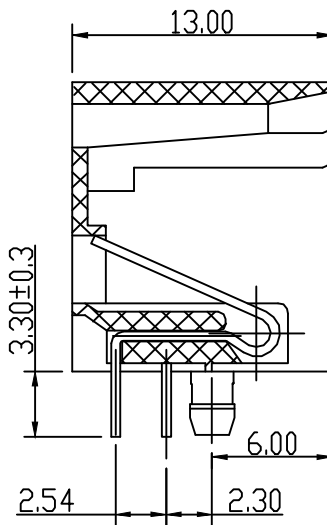
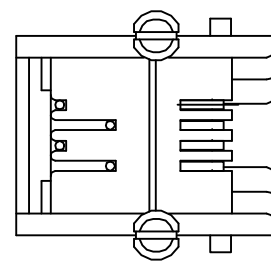
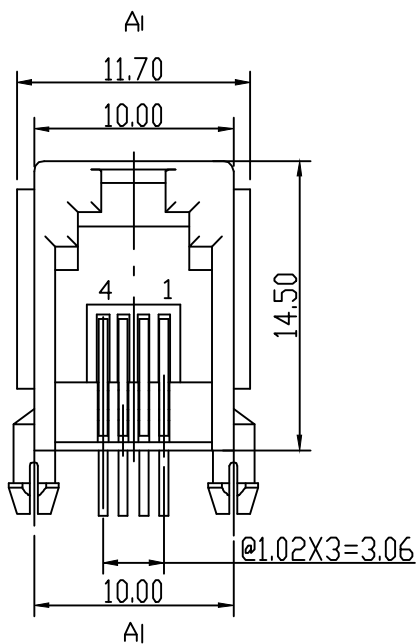
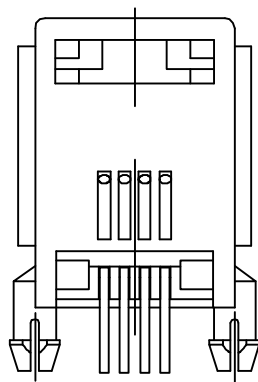


REV	DESCRIPTION	DATE



RECOMMENDED PCB LAYOUT
 PCB THICKNESS=1.6mm
 AS VIEWED FROM COMPONENT SIDE
 TOLERANCE ±0.05mm



电气性:

1. 额定电压: 125 VAC RMS
2. 额定电流: 1.5 AMP
3. 接触电阻: 20 mΩ MAX
4. 绝缘电阻: 1000 MΩ Min @500 VDC
5. 耐压强度: 1000 V AC 或 1500V DC
RMS @0.5mA 50 Hz 或 60 Hz 1分钟.

机构特性:

1. 塑壳材质: PBT, UL94V-0;
2. 圆针材质: 磷青铜, Ø0.46mm;
3. 圆针电镀: 镍底, 表面全面镀金;
4. 插入/拔出力: 30N Max;
5. 配合强度: 50N 60s±5s.
6. 可靠性: 最少750次插拔

环境特性:

1. 储存温度: -40°C ~ +85°C 相对湿度<80%
2. 工作温度: -40°C ~ +85°C
3. 储存时间: 12个月
4. 波峰焊温度: 265°C±5°C 10S

NOTES:

ELECTRICAL:

- | | |
|--------------------------|--|
| 1. VOLTAGE RATING | :125 VAC RMS. |
| 2. CURRENT RATING | :1.5 AMP |
| 3. CONTACT RESISTANCE | :20 MILLIOHMS MAX |
| 4. INSULATION RESISTANCE | :1000 MEGOHMS MIN @ 500 VDC. |
| 5. WITHSTAND VOLTAGE | :1000 V AC OR 1500V DC RMS
@0.5mA 50 Hz / 60 Hz 1Minute |

MECHANICAL:

- | | |
|--------------------------|-----------------------------|
| 1. HOUSING MATERIAL | :PBT UL94V-0; |
| 2. CONTACT MATERIAL | :PHOSPHOR BRONZE Ø0.46mm. |
| 3. PLATING | : GOLD PLATING OVER NICKEL. |
| 4. MATING/UNMATING FORCE | :30N MAX. |
| 5. RETENTION STRENGTH | :50N FOR 60s±5s. |
| 6. OPERATING LIFE | :750 CYCLES MIN. |

ENVIRONMENTAL:

1. STORAGE : -40°C~+85°C RELATIVE HUMIDITY<80%
 2. OPERATION : -40°C~+85°C
 3. GUARANTEE PERIOD : 12 MONTHS
- WAVE SOLDERING TEMPERATURE :265°C ±5°C 10S.

CNT 肯耐特电子有限公司

REV. 1.0	UNIT mm	SCALE 1:1	
-------------	------------	--------------	--

GENERAL TOLERANCE	
X. ° ±5°	X. ±0.30
.X ° ±3°	.X ±0.25
.XX ° ±2°	.XX ±0.15
.XXX ° ±1°	.XXX ±0.10

DRAWN	董道丽	DATE	20221227
CHECK	张锦焰	DATE	20221227
APPROVE	王元中	DATE	20221227

20221227006
CNT-5521-4P4C-E

5521 4P有耳 插座
